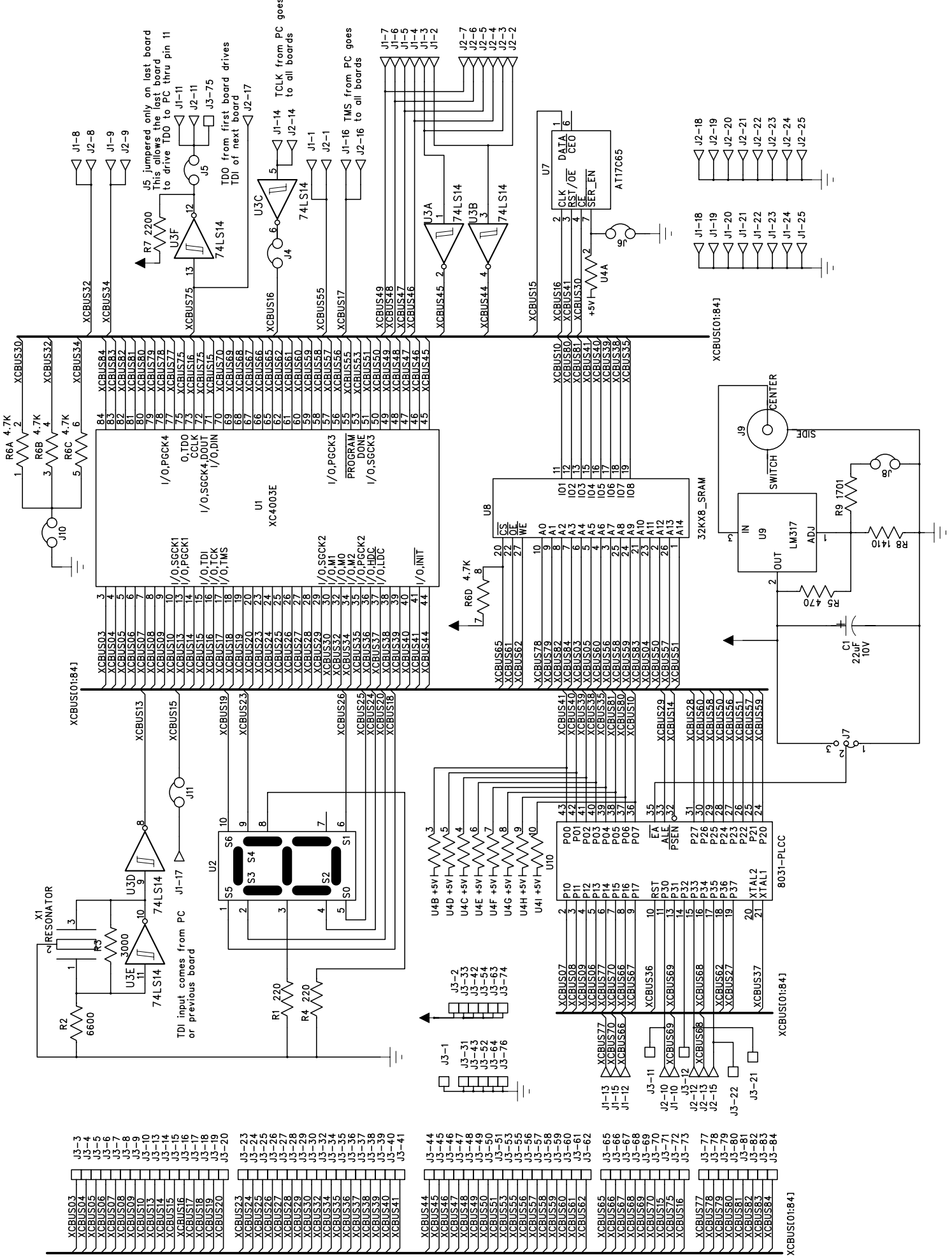
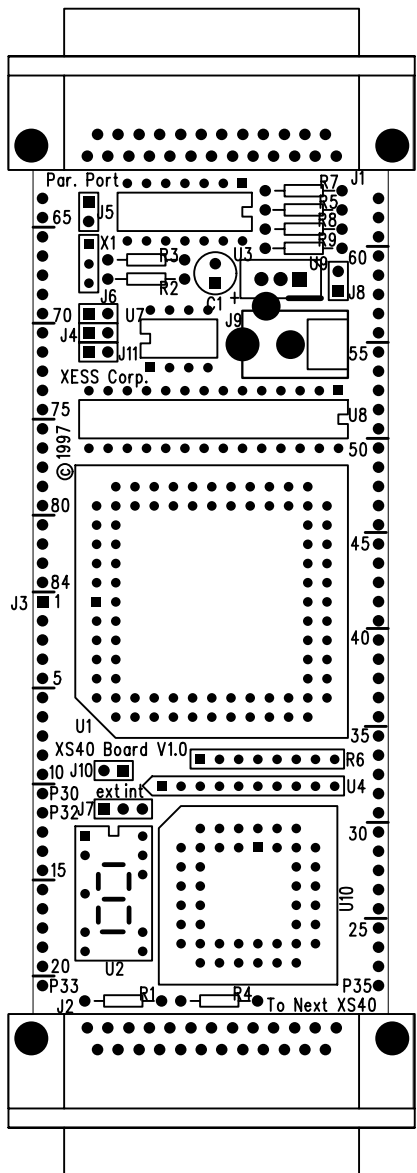


XS40 Board Version 1.0 Schematic

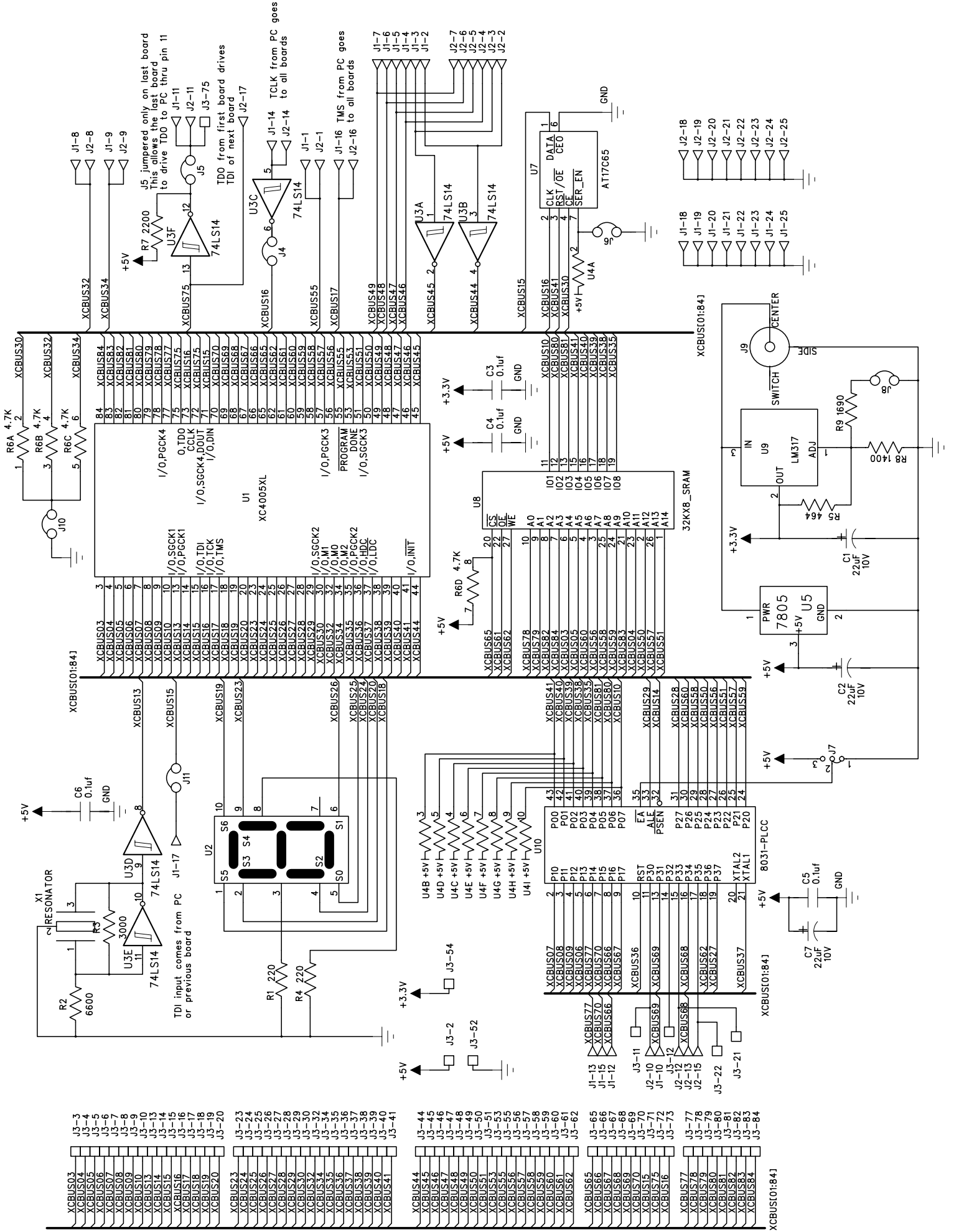


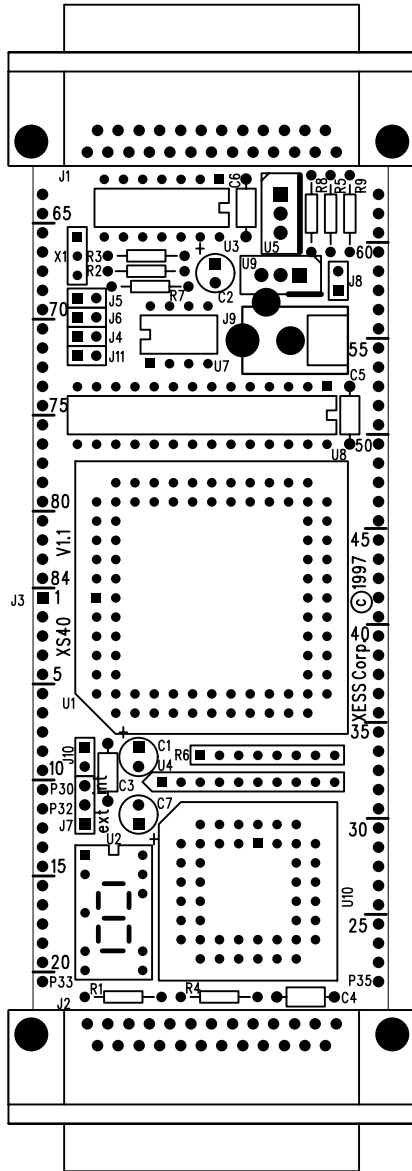


Layer 1 - TOP

Silkscreen (Top)

XS40 Board Version 1.1 Schematic

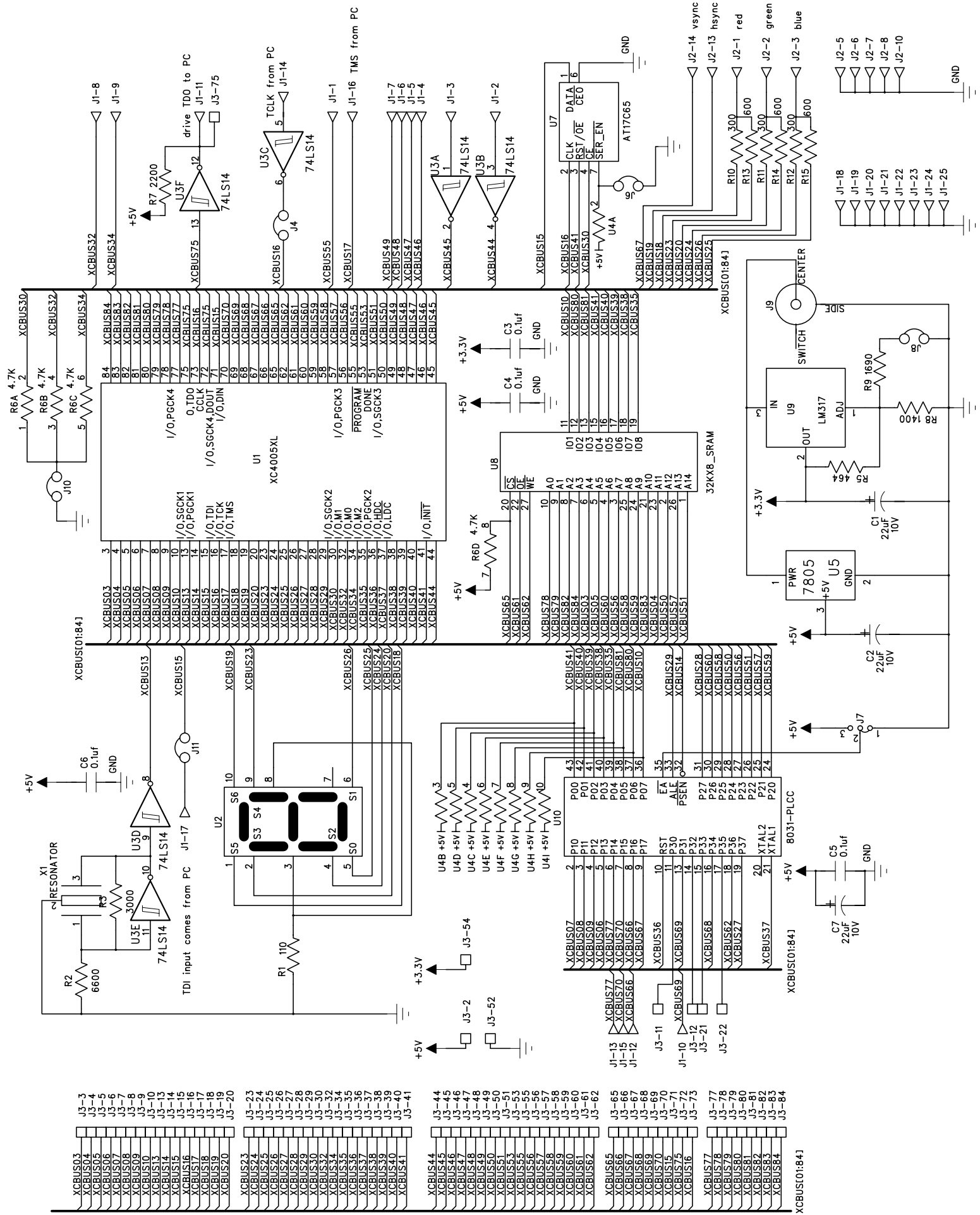




Layer 1 - TOP

Silkscreen (Top)

XS40 and XSP Board Version 1.2 Schematic



- XCBUS03
- XCBUS04
- XCBUS05
- XCBUS06
- XCBUS07
- XCBUS08
- XCBUS09
- XCBUS10
- XCBUS11
- XCBUS12
- XCBUS13
- XCBUS14
- XCBUS15
- XCBUS16
- XCBUS17
- XCBUS18
- XCBUS19
- XCBUS20

- XCBUS23
- XCBUS24
- XCBUS25
- XCBUS26
- XCBUS27
- XCBUS28
- XCBUS29
- XCBUS30
- XCBUS31
- XCBUS32
- XCBUS33
- XCBUS34
- XCBUS35
- XCBUS36
- XCBUS37
- XCBUS38
- XCBUS39
- XCBUS40
- XCBUS41

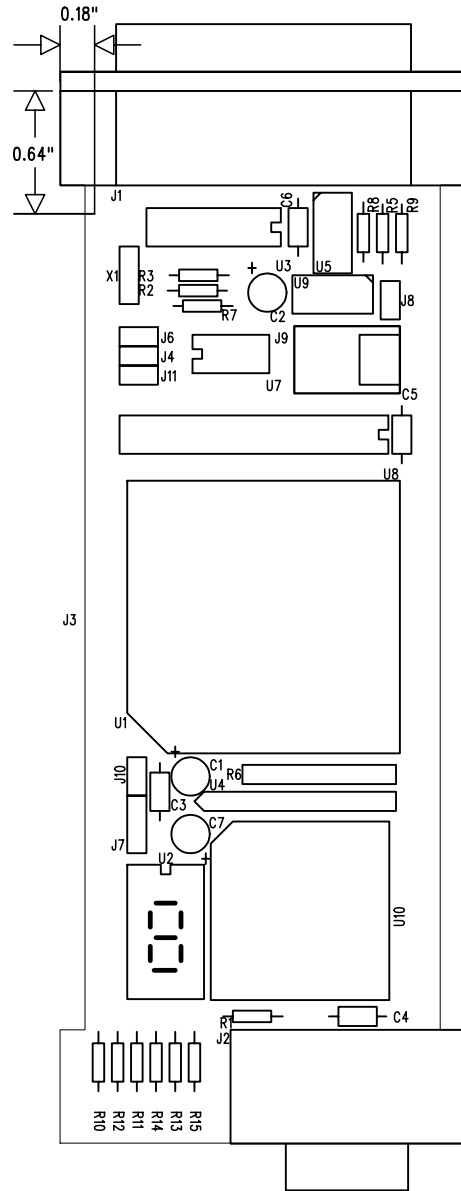
- XCBUS44
- XCBUS45
- XCBUS46
- XCBUS47
- XCBUS48
- XCBUS49
- XCBUS50
- XCBUS51
- XCBUS52
- XCBUS53
- XCBUS54
- XCBUS55
- XCBUS56
- XCBUS57
- XCBUS58
- XCBUS59
- XCBUS60
- XCBUS61
- XCBUS62

- XCBUS65
- XCBUS66
- XCBUS67
- XCBUS68
- XCBUS69
- XCBUS70
- XCBUS71
- XCBUS72
- XCBUS73
- XCBUS74
- XCBUS75
- XCBUS76
- XCBUS77
- XCBUS78
- XCBUS79
- XCBUS80
- XCBUS81
- XCBUS82
- XCBUS83
- XCBUS84

- XCBUS101:841

XCBUS101:841

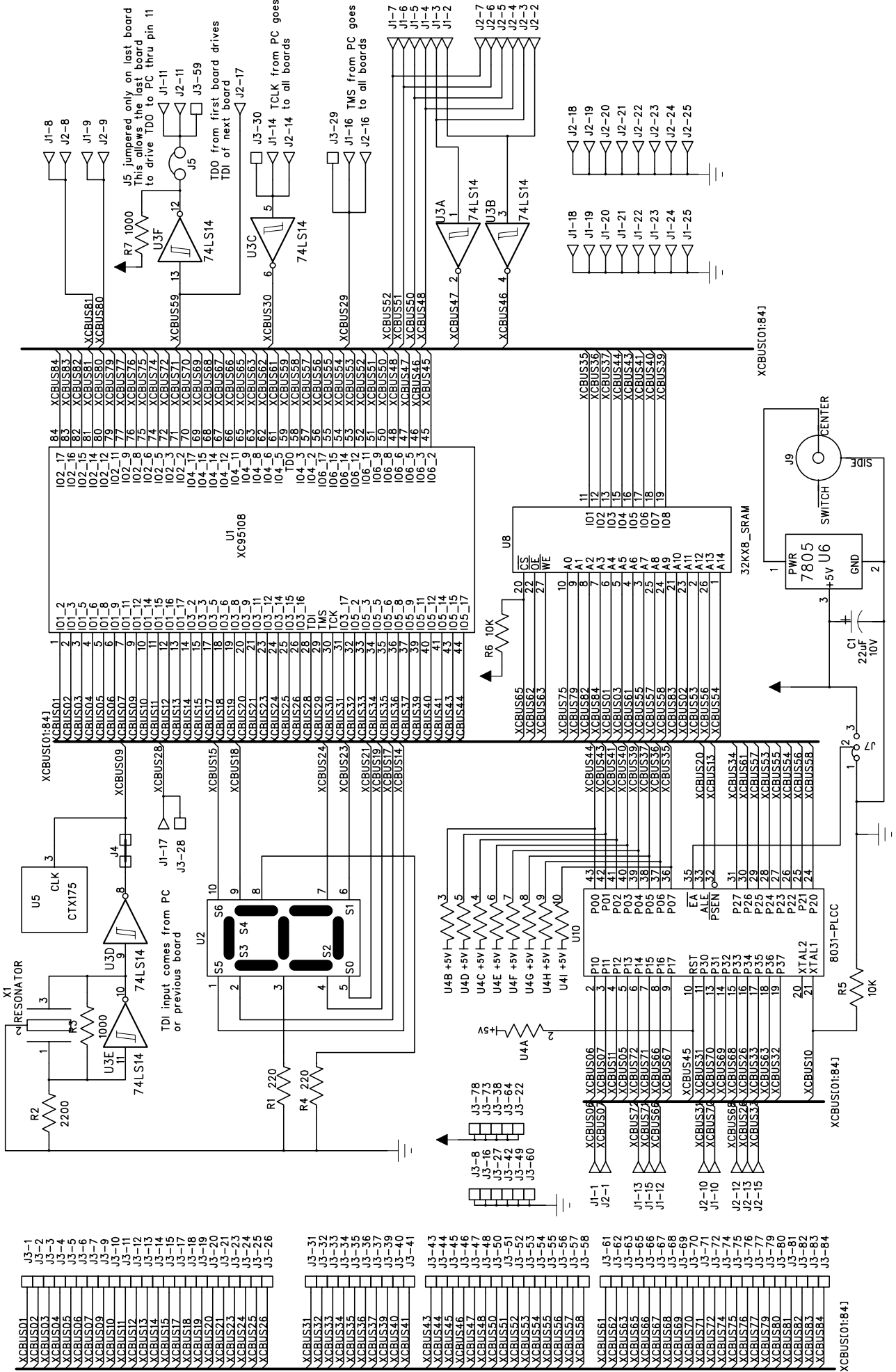
XS40 Board V1.2 Assembly Drawing - XESS Corp.

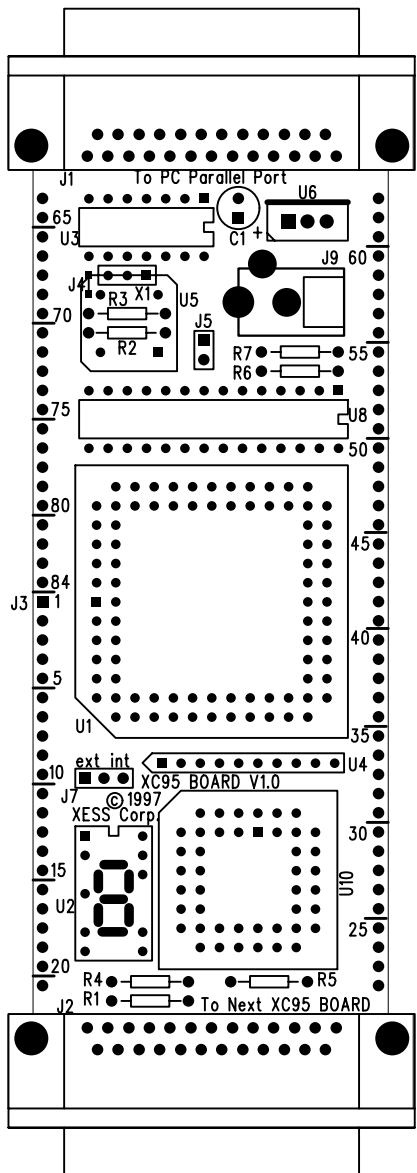


Layer 1 - TOP

Assembly Drawing (Top)

XS95 Board Version 1.0 Schematic

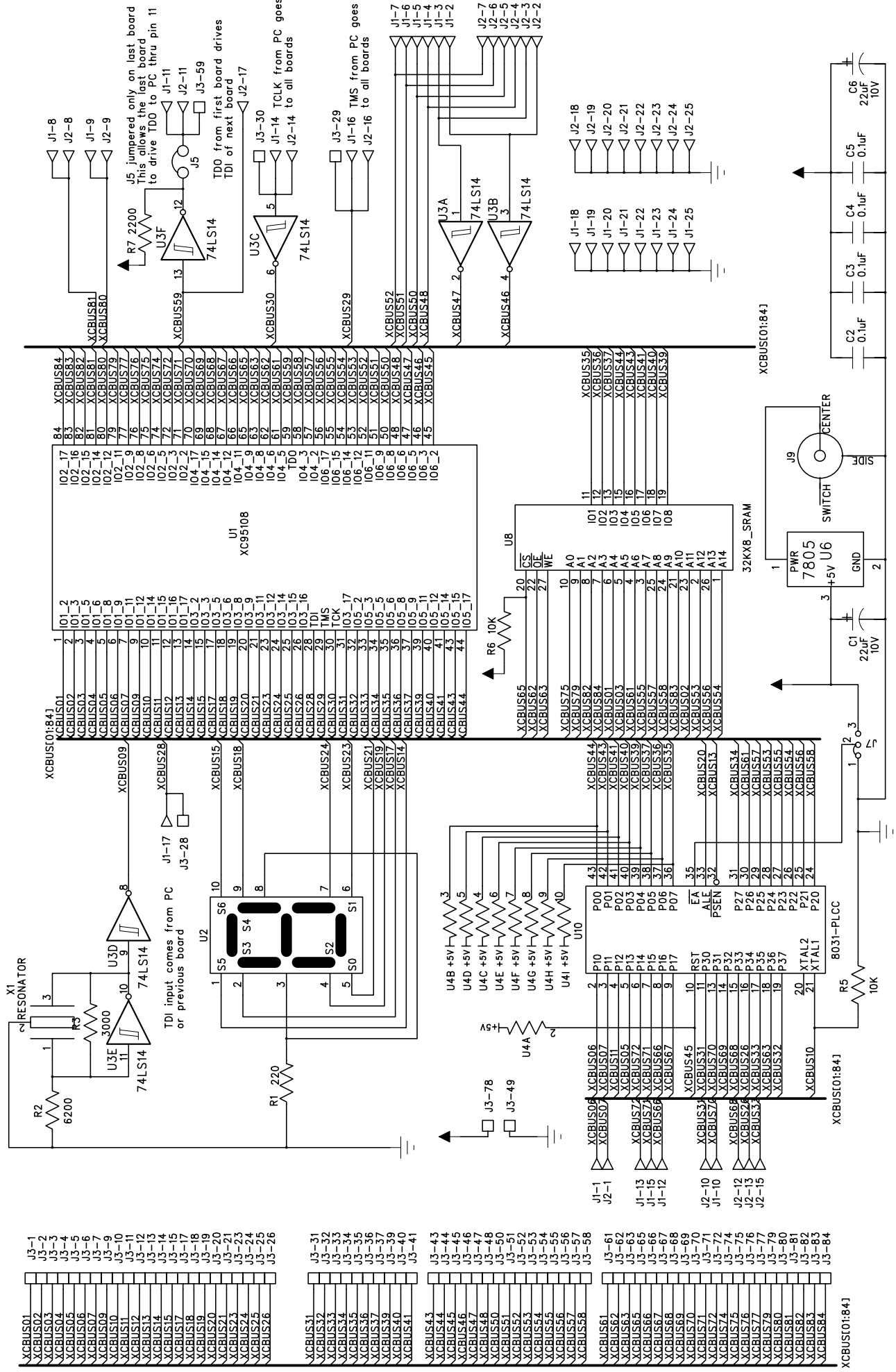


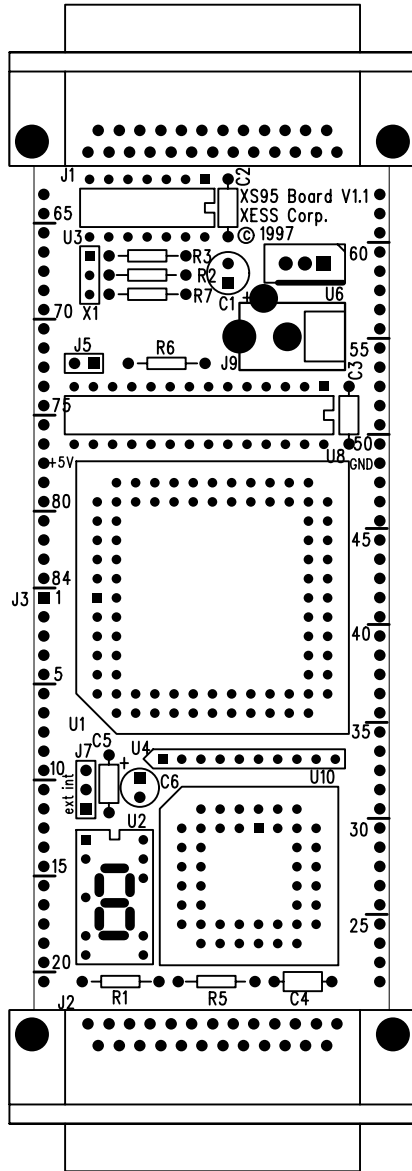


Layer 1 - TOP

Silkscreen (Top)

XS95 Board Version 1.1 Schematic

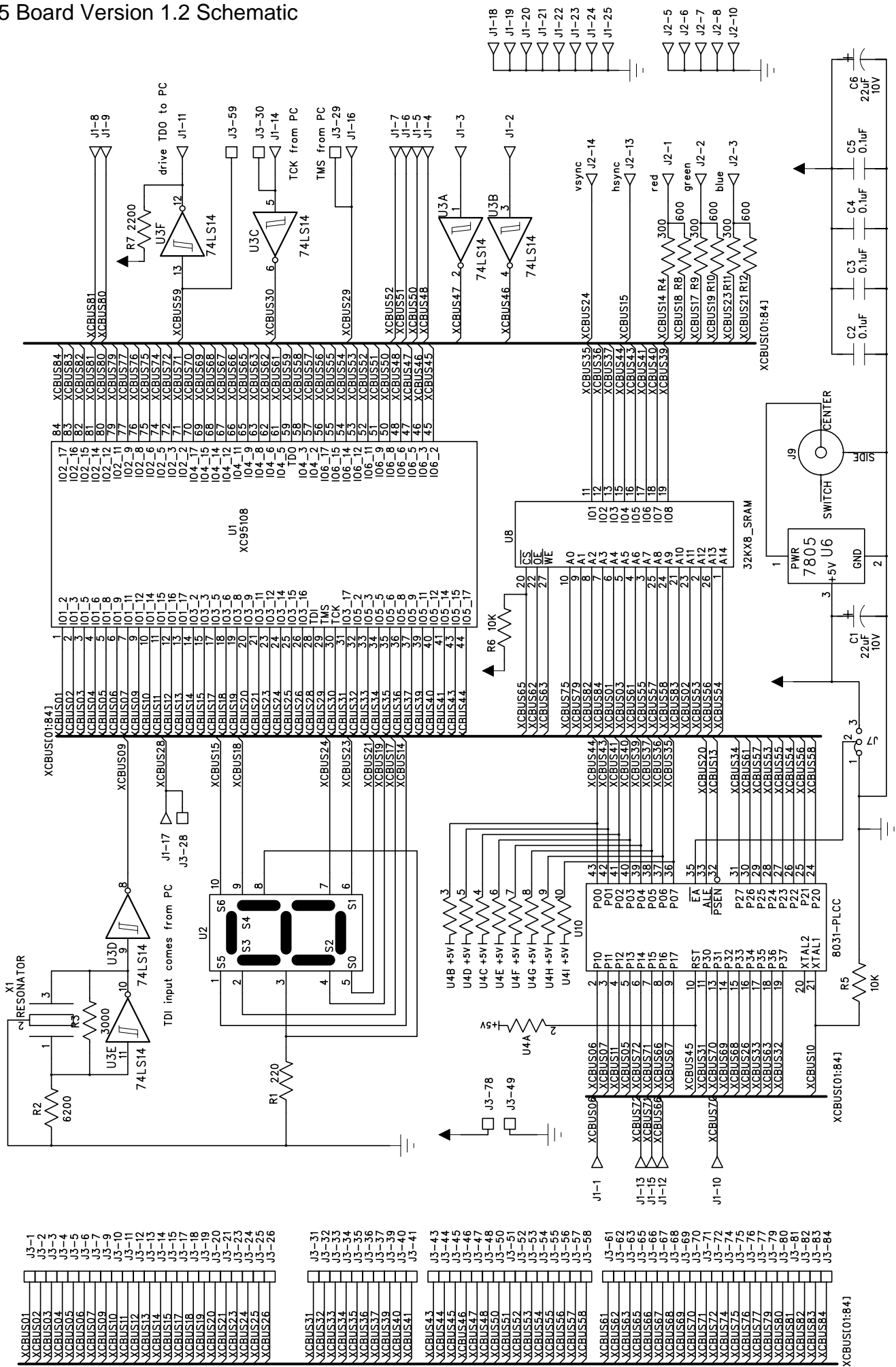




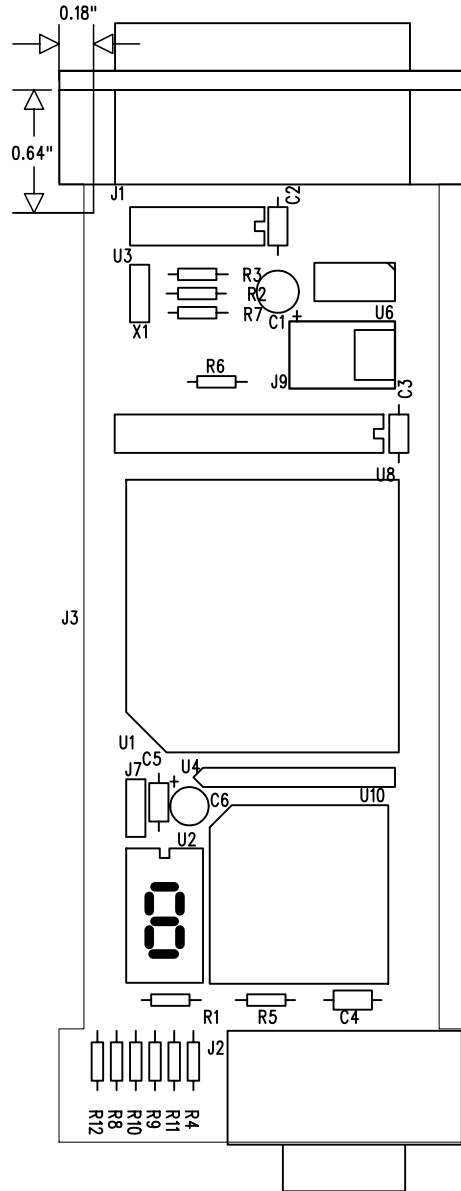
Layer 1 - TOP

Silkscreen (Top)

XS95 Board Version 1.2 Schematic



XS95 Board V1.2 Assembly Drawing - XESS Corp.



Layer 1 - TOP

Assembly Drawing (Top)